



TxWIRELESS™



Datasheet

EDGE RTK Starter Kit

Part No:
ES10

Description:

High precision GNSS and RTK kit with cellular, Bluetooth and on-board sensors.

Ordering Information:

ES10B – EDGE RTK Starter Kit [LTE US with 3G fallback] with EDGE Insights cloud platform.

ES10L – RTK Starter Kit [LTE EMEA with 2G fallback] with EDGE Insights cloud platform.

Features:

- High-precision GNSS with RTK capabilities allows for the gathering of high-precision positioning data.
- Integrated onboard sensors such as temperature, humidity, accelerometer, gyroscope, magnetometer, light, and air pressure.
- Cellular support for LTE, 3G, 2G, CAT-M, NB-IoT to give a global coverage footprint.
- Internal rechargeable battery.
- Built with Taoglas IoT Solutions cloud-based enterprise-level software platform with network, sensor, security and data management.
- Easy 3rd party sensor and machine interfacing and integration through server-side Sensor Management System.
- Over-the-air (OTA) updates and device diagnostics.
- Supported by a full IoT security stack, power, device management and Data-as-a-Service out-of-the-box.
- Includes one month of Taoglas IoT Solutions Insights and cellular data subscription.







TxWireless makes no warranties based on the accuracy or completeness of the contents of this document and reserves the right to make changes to specifications and product descriptions at any time without notice. TxWireless reserves all rights to this document and the information contained herein. Reproduction, use or disclosure to third parties without express permission is strictly prohibited.

Introduction

EDGE RTK Starter kit with high-precision GNSS, real-time kinematic positioning (RTK), and connectivity accelerator platform.

Build cloud-powered connectivity applications quicker with the TxWireless™ EDGE pre-certified RTK Starter Kit. The industry's most comprehensive IoT starter kit includes cellular, Bluetooth, on-board sensors, multiband GNSS and RTK, and a cloud-based management platform. The TxWireless EDGE RTK Starter Kit is preconfigured with an active cellular data plan.

Key Benefits

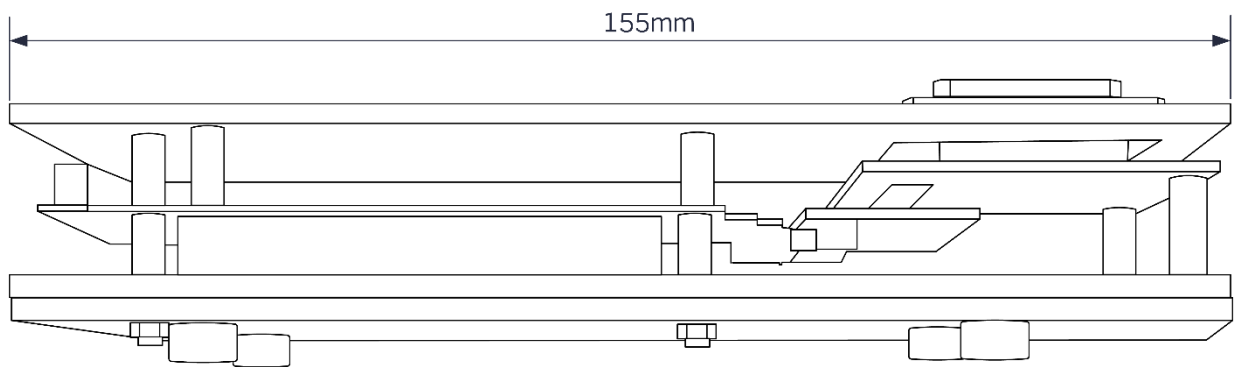
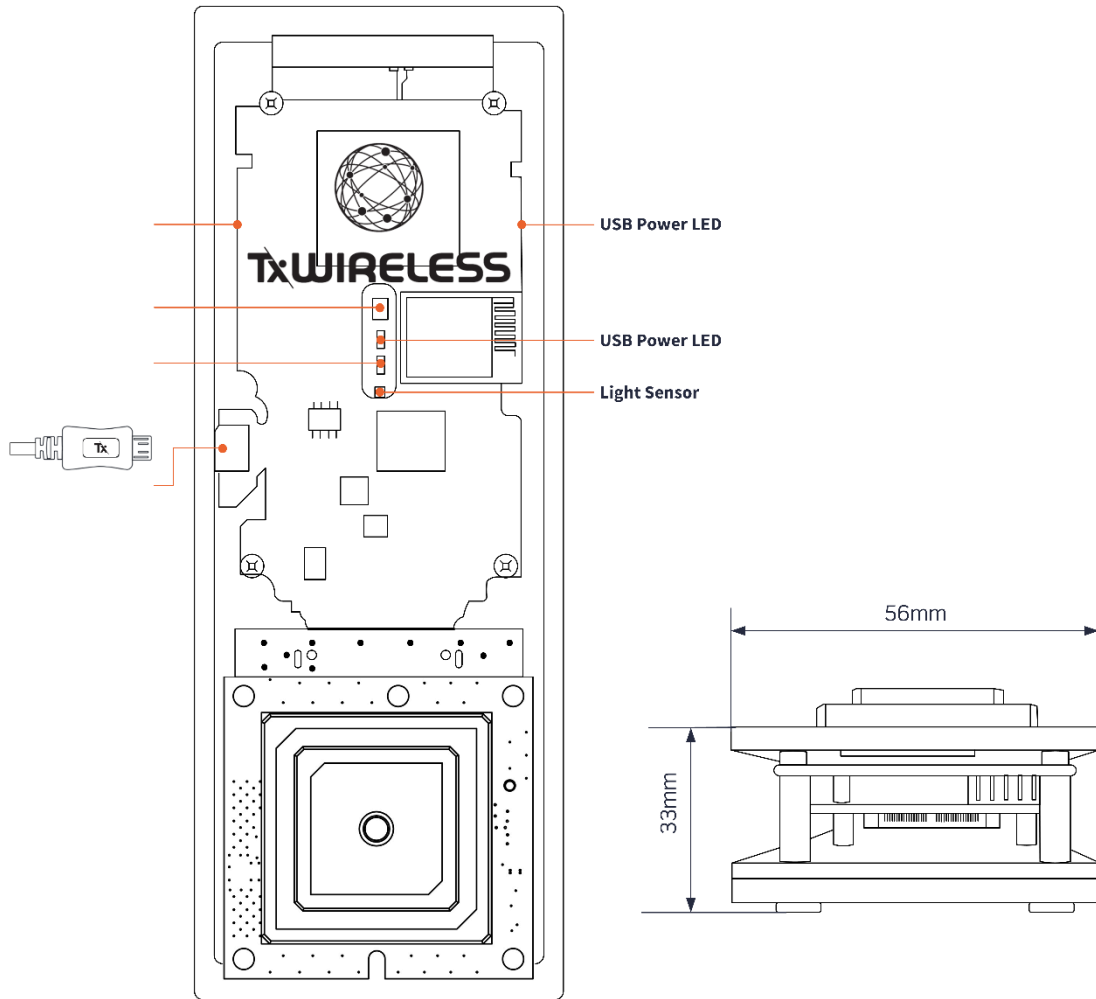
 <p>Reduce Costs A turnkey proof-of-concept (PoC) design to save development time and money.</p>	 <p>Accelerate Your Project Accelerate the time of progress and validation of your product development with the ready-to-go platform.</p>	 <p>Ready Out Of The Box Fast time to market, with an accurate navigation solution ready to use out of the box.</p>
 <p>Cloud Platform Test and validate your cloud platform with real-time sensor data over cellular.</p>	 <p>Wi-Fi & BLE Test and validate your device Wi-Fi and Bluetooth performance with the Edge RTK Starter Kit accelerator platform.</p>	 <p>Centimeter-Level Positioning Integrated multiband u-blox ZED-F9P module with RTK to enable centimeter-level positioning.</p>

Specifications

Model Name	ES10
System	
RAM	384 KB
Flash	2048 KB
Firmware/OS	RTOS Applications Libraries (Real Time Performance)

Security	Cloud Mutual authentication, Hardware root for trust, secure key storage
Radios	
Cellular	Various options available (LTE EMEA with 2G fallback, Global NB-IoT and CatM, Global NB-IoT and CatM)
GNSS	GPS/GLONASS/Galileo/BeiDou (Optional RTK)
Bluetooth	BLE 4.2
On-board sensors	Temperature, Humidity, Light, Atmospheric pressure, Accelerometer, Gyroscope, Magnetometer
Physical	
Expansion connector	RS485, CAN, UART, GPIO, PWM, ADC, I2C, SPI
Operating Temperature	-20°C (-4°F) to +60°C (140°F)
Dimensions	93g
Power	3.2V – 4.5V, Current 2A- 3A
Battery	1200 mAh rechargeable lithium battery

Mechanical Specifications



Regional Support and International Engineering

Let's make something great together

We are trusted by over 5000+ clients.
Join them by using our services and grow your business.

Ireland

DCU Alpha Innovation Campus,
Old Finglas Road,
Glasnevin, Dublin 11,
D11 KXN4
Ireland

email:
sales@txwireless.com
support@txwireless.com
Phone +353 1 5241401

Poland

TxWireless Poland,
Sp. z o.o. Budowlanych 68B,
80-298,
Gdańsk (second floor)

email:
sales@txwireless.com
support@txwireless.com
Phone: +48 58 670 48 42

USA

15 S. 5th St. Suite 150,
Minneapolis,
MN 55402
USA

Email:
sales@txwireless.com
support@txwireless.com
Phone: +1 651 448 7343 or Toll Free: +1 877 435 5831

